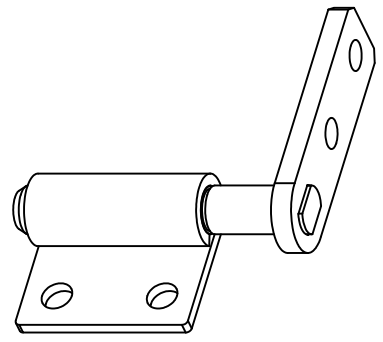
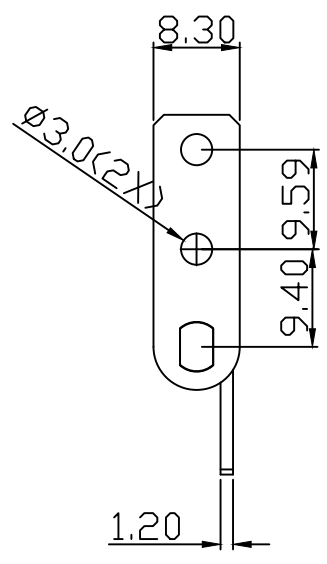
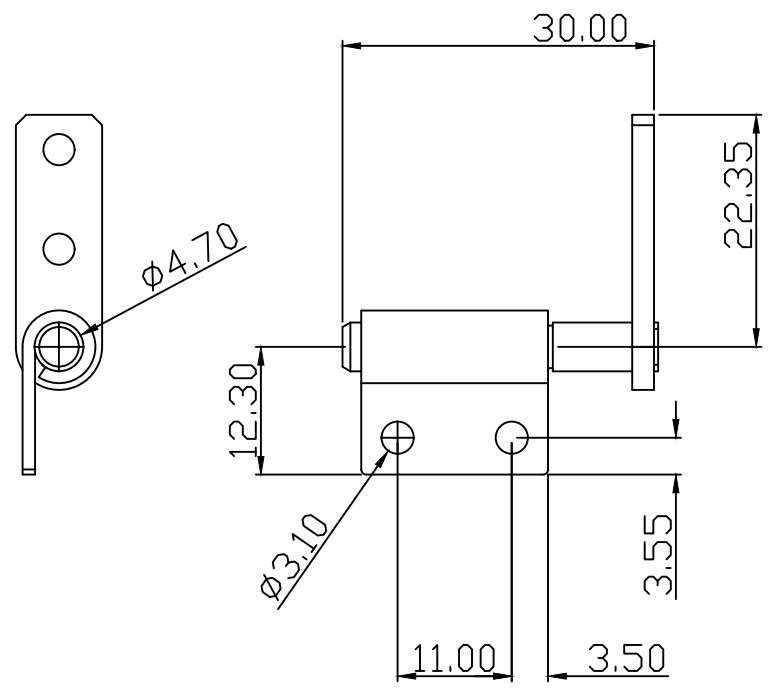


REVISION RECORD			
REV	DESCRIPTION	DATE	APPD



SHINELOT		TITLE C-HINGE-INTER			
<small>ALL INFORMATION ON THIS PRINT ARE PROPRIETARY TO SHINELOT, AND SHALL NOT BE USED IN WHOLE OR IN PART WITHOUT SHINELOT'S CONSENT.</small>		ENGLISH / METRIC		MATERIAL	
		TOLERANCES			
		METRIC		SIZE	DWG NO
		0-6 mm $\phi 0.1$ mm	120-400 mm $\phi 0.5$ mm	B	REV 0.0
		6-30 mm $\phi 0.2$ mm	400-1000 mm $\phi 0.8$ mm		
USED ON	REV	30-120 mm $\phi 0.3$ mm	ANGLE $\phi 1p$	DRAWN BY	DATE
				SCALE 2:1	SHEET OF